



Lexmark F4270

Up to 19 ppm in black
Up to 10 ppm in colour

Print Technology

Thermal inkjet 4 colour

Speed

Up to 19 ppm in black
Up to 10 ppm in colour

Print Quality

Up to 4800 x 1200 dpi

Paper Input

Up to 100 sheets

Paper Output

Up to 50 sheets

Media Sizes Supported

A4, B5, A5, A6, letter, legal, executive, card stock, labels

Connectivity

USB 2.0

OS Supported

Microsoft Windows 98/ME/2000/XP

Copy Function

Standalone colour copier
Up to 99 copies per cycle
Reduce/enlarge 25% to 400%
Up to 18 ppm in black
Up to 6,5 ppm in colour

Fax Capabilities

33.6 KB modem speed
Standalone mono and colour fax
Send and receive A4, letter, legal
30 page Automatic Document Feeder
Automatic redial/busy redial

Scanner Specification

Technology : sheetfed CIS
Resolution: 600 x 1200 dpi
Scan to email, fax, file, OCR

Cartridges

Black: No. 71, No. 70, No. 75
Colour: No. 19, No. 20, No. 25

Base Guarantee

One-year replacement, response time 3 to 5 days

Part Number

0021C2002



Lexmark X8350

Up to 25 ppm in black
Up to 19 ppm in colour

Print Technology

Thermal inkjet 4 colour
(6 colour capable with photo cartridge)

Speed

Up to 25 ppm in black
Up to 19 ppm in colour

Print Quality

Up to 4800 x 1200 dpi

Paper Input

Up to 100 sheets

Paper Output

Up to 50 sheets

Media Sizes Supported

A4, B5, A5, A6, letter, legal, executive, statement, envelopes, card stock, labels

Connectivity

USB 2.0

OS Supported

Microsoft Windows 98/ME/2000/XP

Copy Function

Standalone colour copier
Up to 99 copies per cycle
Reduce/enlarge 25% to 400%
Up to 24 ppm in black
Up to 16 ppm in colour

Fax Capabilities

33.6 KB modem speed
Standalone mono and colour fax
Send and receive A4, letter, legal
50 page Automatic Document Feeder
Automatic redial/busy redial

Scanner Specification

Technology : CIS/CCD Hybrid
Resolution: 1200 x 2400 dpi
Scan to email, fax, file, OCR

Cartridges

Black: No. 32, No. 34
Colour: No. 33, No. 35, No. 31 (photo quality)

Base Guarantee

One-year replacement, response time 3 to 5 days

Part Number

0021M0002



Lexmark E120n

Up to 19 ppm

Print Technology

Monochrome laser

Speed

Up to 19 ppm in A4
Up to 20 ppm in letter format

Print Quality

Up to 600 x 600 dpi
Up to 1200 image quality

Processor/Memory

183 MHz
16 MB

Paper Input

150 sheets + 15-sheet priority feeder

Paper Output

50 sheets

Media Sizes Supported

A4, B5, A5, A6, letter, legal, executive, statement, envelopes, card stock, labels

Connectivity/Network

USB 2.0, Fast Ethernet

OS Supported

Microsoft Windows 98 SE/2000/Me/NT/XP/server
2003, Linux, Unix, Novell Netware, Mac OS X

Printer languages

PCL 6, PS on Mac only

Cartridges

Ships with return programme cartridge 0,5K(1) pages

Base Guarantee

One-year return to base, response time 5 to 7 days

Part Number

0023S0310



Lexmark E240

Up to 26 ppm

Print Technology

Monochrome laser

Speed

Up to 26 ppm in A4

Up to 27 ppm in letter format

Print Quality

Up to 600 x 600 dpi

(Up to 1200 x 1200 dpi on E240n)

Up to 2400 image quality

Processor/Memory

366 MHz

16 MB expandable to 80 MB

(32 MB expandable to 160 MB on E240n)

Paper Input

Standard: 250 sheets + 1 manual

Maximum: 800 sheets + 1 manual

Optional: 550-sheet drawer

Paper Output

150 sheets top or 20 sheets rear

Media Sizes Supported

A4, B5, A5, A6, letter, legal, executive, statement, envelopes, card stock, labels

Connectivity/Network

Standard: USB 2.0, Parallel (Fast Ethernet on E240n)

OS Supported

Microsoft Windows 98 SE/2000/Me/NT/XP/server 2003, Linux, Unix, Novell Netware, TCP/IP, Mac OS X

Printer languages

PCL 6, PS (on E240n)

Cartridges

Ships with return programme cartridge 1,5K(1) pages

Base Guarantee

One-year return to base, response time 5 to 7 days

Models Available

E240 - standalone

E240n - E240 + network

Part Number

E240 - 0028S0210

E240n - 0028S0410



Lexmark X644e

Up to 48 ppm

Print Technology

Monochrome laser

Speed

Up to 48 ppm

Print Quality

Up to 1200 x 1200 dpi

Up to 2400 image quality

Processor/Memory

533 MHz

256 MB (expandable to 768 MB max.)

Paper Input

Standard: 500 sheets + 100 multipurpose feeder

Maximum: 3100 sheets

Optional: 250-sheet drawer, 500-sheet drawer and 2000-sheet drawer

Paper Output

500 sheets (maximum)

Media Type Supported

Plain paper, transparencies, labels, envelopes, card stock

Connectivity/Network

USB, Ethernet

OS Supported

Microsoft Windows 98/Me/NT/2000/XP/server 2003, Sun, Linux, Mac OS 9.x, OS X, Novell

Printer languages

PCL 6, Postscript, PPDs

Digital Copying

Up to 48 ppm

Up to 999 copies per cycle

Reduce / Enlarge 25% to 400%

Automatic Duplex (optional)

Fax Capabilities

33.6 KB modem speed

Transmission and receive log

Selectable quality modes

Customizable cover sheet

Scanner Capabilities

Colour/mono flatbed scanner

Up to 600 x 600 dpi (mono)

Up to 600 x 300 dpi (colour)

Scan to email, FTP, folder, workstation

JPEG, Multipage, TIFF, PDF, PS

Cartridges

Ships with return programme cartridge 10K(1) pages

Base Guarantee

One year on-site repair, response time next business day

Part Number

0022G0498



Lexmark X646dte

Up to 48 ppm

Print Technology

Monochrome laser

Speed

Up to 48 ppm

Print Quality

Up to 1200 x 1200 dpi

Up to 2400 image quality

Processor/Memory

533 MHz

256 MB (expandable to 768 MB max.)

Hard Drive

80 GB

Paper Input

Standard: 1000 sheets + 100 multipurpose feeder

Maximum: 3100 sheets

Optional: 250-sheet drawer, 500-sheet drawer and 2000-sheet drawer

Paper Output

500 sheets (maximum)

Media Type Supported

Plain paper, transparencies, labels, envelopes, card stock

Connectivity/Network

USB, Ethernet

OS Supported

Microsoft Windows 98/Me/NT/2000/XP/server 2003, Sun, Linux, Mac OS 9.x, OS X, Novell

Printer languages

PCL 6, Postscript, PPDs

Digital Copying

Up to 48 ppm

Up to 999 copies per cycle

Reduce / Enlarge 25% to 400%

Automatic Duplex 1:1, 1:2, 2:1, 2:2

Fax Capabilities

33.6 KB modem speed

Transmission and receive log

Selectable quality modes

Customizable cover sheet

Scanner Capabilities

Colour/mono flatbed scanner

Up to 600 x 600 dpi (mono)

Up to 600 x 300 dpi (colour)

Scan to email, FTP, folder, workstation

JPEG, Multipage, TIFF, PDF, PS

Cartridges

Ships with return programme cartridge 21K(1) pages

Base Guarantee

One year on-site repair, response time next business day

Part Number

0022G0499



Lexmark X850e

Up to 35 ppm

Print Technology

Monochrome laser

Speed

Up to 35 ppm in A4 - Up to 19 ppm in A3

Print Quality

Up to 1200 x 1200 dpi
Up to 2400 image quality

Processor/Memory

625 MHz
256 MB (expandable to 768 MB max.)

Hard Drive

80 GB

Paper Input

Standard: 3000 sheets + 100 multipurpose feeder
Maximum: 5100 sheets
Optional: 2000-sheet side feeder, 2 x 500-sheet drawer(2)

Paper Output

Standard: 500 sheets(3)
Maximum: 3800 sheets
Optional: 500-sheet bin, 3000-sheet bin, finisher (Stapling, hole punching, offsetting)

Media Type Supported

Plain paper, transparencies, labels, envelopes, card stock

Connectivity/Network

USB, Ethernet, Parallel

OS Supported

Microsoft Windows 98/Me/NT/2000/XP/server 2003, Sun, Linux, Mac OS 9.x, OS X, Novell

Printer languages

PCL 6, Postscript, PPDS, PDF

Digital Copying

Up to 35 ppm
Up to 999 copies per cycle
Reduce / Enlarge 25% to 400%
Automatic Duplex 1:1, 1:2, 2:1, 2:2

Fax Capabilities

33.6 KB modem speed
Selectable quality modes
Customizable cover sheet

Scanner Capabilities

Colour/mono flatbed scanner A4, A3
Up to 600 x 600 dpi (mono)
Up to 600 x 300 dpi (colour)
Scan to email, FTP, folder, workstation
JPEG, Multipage, TIFF, PDF, PS

Cartridges

Ships with 30K(1) pages cartridge
Ships with Photo-conductor Kit 48K pages

Base Guarantee

One year or 600K pages printed, on-site repair, response time next business day

Part Number

0015R0082



Lexmark X852e

Up to 45 ppm

Print Technology

Monochrome laser

Speed

Up to 45 ppm in A4 - Up to 24 ppm in A3

Print Quality

Up to 1200 x 1200 dpi
Up to 2400 image quality

Processor/Memory

625 MHz
256 MB (expandable to 768 MB max.)

Hard Drive

80 GB

Paper Input

Standard: 3000 sheets + 100 multipurpose feeder
Maximum: 5100 sheets
Optional: 2000-sheet side feeder, 2 x 500-sheet drawer(2)

Paper Output

Standard: 500 sheets(3)
Maximum: 3800 sheets
Optional: 500-sheet bin, 3000-sheet bin, finisher (Stapling, hole punching, offsetting)

Media Type Supported

Plain paper, transparencies, labels, envelopes, card stock

Connectivity/Network

USB, Ethernet, Parallel

OS Supported

Microsoft Windows 98/Me/NT/2000/XP/server 2003, Sun, Linux, Mac OS 9.x, OS X, Novell

Printer languages

PCL 6, Postscript, PPDS, PDF

Digital Copying

Up to 45 ppm
Up to 999 copies per cycle
Reduce / Enlarge 25% to 400%
Automatic Duplex 1:1, 1:2, 2:1, 2:2

Fax Capabilities

33.6 KB modem speed
Selectable quality modes
Customizable cover sheet

Scanner Capabilities

Colour/mono flatbed scanner A4, A3
Up to 600 x 600 dpi (mono)
Up to 600 x 300 dpi (colour)
Scan to email, FTP, folder, workstation
JPEG, Multipage, TIFF, PDF, PS

Cartridges

Ships with 30K(1) pages cartridge
Ships with Photo-conductor Kit 60K pages

Base Guarantee

One year or 600K pages printed, on-site repair, response time next business day

Part Number

0015R0133



Lexmark X854e

Up to 55 ppm

Print Technology

Monochrome laser

Speed

Up to 55 ppm in A4 - Up to 28 ppm in A3

Print Quality

Up to 1200 x 1200 dpi
Up to 2400 image quality

Processor/Memory

625 MHz
256 MB (expandable to 768 MB max.)

Hard Drive

80 GB

Paper Input

Standard: 3000 sheets + 100 multipurpose feeder
Maximum: 5100 sheets
Optional: 2000-sheet side feeder, 2 x 500-sheet drawer(2)

Paper Output

Standard: 500 sheets(3)
Maximum: 3800 sheets
Optional: 500-sheet bin, 3000-sheet bin, finisher (Stapling, hole punching, offsetting)

Media Type Supported

Plain paper, transparencies, labels, envelopes, card stock

Connectivity/Network

USB, Ethernet, Parallel

OS Supported

Microsoft Windows 98/Me/NT/2000/XP/server 2003, Sun, Linux, Mac OS 9.x, OS X, Novell

Printer languages

PCL 6, Postscript, PPDS, PDF

Digital Copying

Up to 55 ppm
Up to 999 copies per cycle
Reduce / Enlarge 25% to 400%
Automatic Duplex 1:1, 1:2, 2:1, 2:2

Fax Capabilities

33.6 KB modem speed
Selectable quality modes
Customizable cover sheet

Scanner Capabilities

Colour/mono flatbed scanner A4, A3
Up to 600 x 600 dpi (mono)
Up to 600 x 300 dpi (colour)
Scan to email, FTP, folder, workstation
JPEG, Multipage, TIFF, PDF, PS

Cartridges

Ships with 30K(1) pages cartridge
Ships with Photo-conductor Kit 70K pages

Base Guarantee

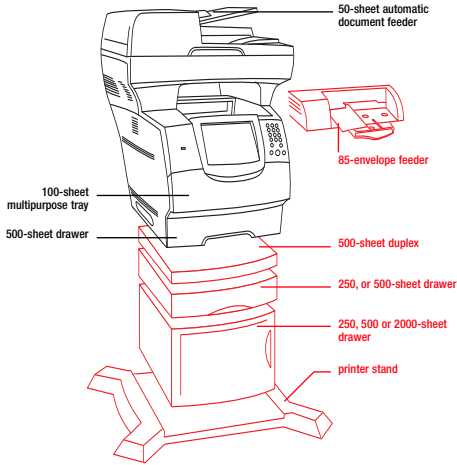
One year or 600K pages printed, on-site repair, response time next business day

Part Number

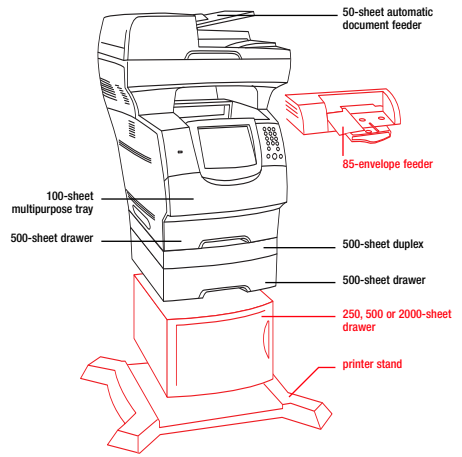
0015R0226

(1) Average cartridge yield. Declared yield value in accordance with ISO/IEC 19752. (2) This input option can be installed beneath the MFP to offer additional capacity for wide-format paper. Available only as an RPO, as it cannot exist concurrently with the 2000-Sheet Dual Input. (3) with the finisher option installed, the capacity is reduce to 300 sheets in bin

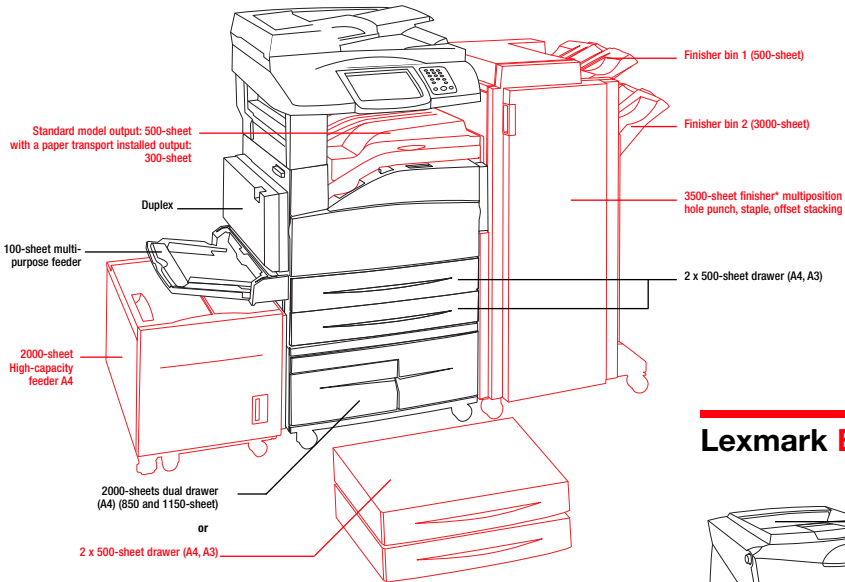
Lexmark X644e



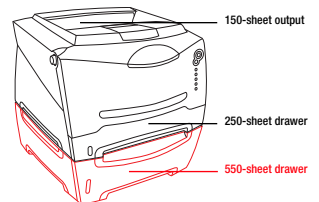
Lexmark X646dt



Lexmark X850e/X852e/X854e



Lexmark E240/E240n



* To install the 3500 finisher, you need to have the standard configuration or the optional 2 x 500-sheet drawer installed.

Standard
 Optional

Maintenance Kit

Model	Part No. (PN)	Maintenance Kit Description
A4 / A3 MONO LASER PRODUCTS		
12L, 12R IBM	001325532	Maintenance Kit 220V: Fuser 220V, Transfer Roll, D Roller, Lower Redrive Shaft Asm, Transfer Roll Bearing Cover, Installation Instructions
12C	001325950	Maintenance Kit 220V: Fuser 220V, Transfer Roll, D Roller, Lower Redrive Shaft Asm, Transfer Roll Bearing Cover, Installation Instructions
16L, 16L+ IBM	001329141	Maintenance Kit 220V: Fuser 220V, Transfer Roll, D Roller, Lower Redrive Shaft Asm, Transfer Roll Bearing Cover, Installation Instructions
12R(R)/12L(L)/OPTRA	0069G5267	Maintenance Kit 220V: Fuser 220V, Transfer Roll, D Roller, Lower Redrive Shaft Asm, Roller Asm, Installation Instructions
16R(R)/16L(Lx)/OPTRA	0069G5265	Maintenance Kit 220V: Fuser 220V, Transfer Roll, D Roller, Lower Redrive Shaft Asm, Roller Asm, Installation Instructions
2420/50/55/ OPTRA S	0099A1196	Maintenance Kit 220V: Fuser 220V, Transfer Roll, 6 Auto-Compensator Rollers, Charge Roll, Installation Instructions
3455 / OPTRA Se	0099A1198	Maintenance Kit 220V: Fuser 220V, 6 Auto-Compensator Rollers, Transfer Roll, Charge Roll, Instruction Sheet
T610 / T612 / OPTRA	0099A1765	Maintenance Kit 220V: Fuser Unit 220V, Transfer Roll Asm, Charge Roll Asm, Pick Roll ASM (Qty 2), Instruction Sheet
T614 / T616 / OPTRA	0099A1763	Maintenance Kit 220V: Fuser Unit 220V, Transfer Roll Asm, Charge Roll Asm, Pick Roll ASM (Qty 2), Instruction Sheet
T420	0056P2041	Maintenance Kit 220V: Fuser 220V, Charge Roll, Transfer Roll, D Roller, Tray Metal Plate, Instruction Sheet
T430	0056P2337	Maint. Kit 220V: Fuser 220V, Charge Roll, Tray 1 Paper Feed Roll, Rear Cover Asm, Lower MPF Housing Asm, Lubricant Nyogel 744, Maint. Kit PP
T520 / T522	0099A2421	Maintenance Kit 220V: Fuser Asm, Transfer Roller, Charge Roller
T620	0099A2407	Maintenance Kit 220V: Fuser Unit 220V, Transfer Roll Asm, Charge Roll Asm, Pick Roll ASM (Qty 3), Instruction Sheet
T622	0099A2410	Maintenance Kit 220V: Fuser Unit 220V, Transfer Roll Asm, Charge Roll Asm, Pick Roll ASM (Qty 3), Instruction Sheet
T630 / T632	0056P1412	Maintenance Kit 220V: Fuser Unit 220V, Transfer Roll, Charge Roll Asm, Pick Roll ASM (Qty 3)
T634	0056P1856	Maintenance Kit 220V: Fuser Unit 220V, Transfer Roller, Charge Roll Asm, Pick Roll ASM (Qty 3)
T640 / T642 / T644	0056P4241	Maintenance Kit 220V: Fuser Unit 220V, Transfer Roller Asm, Charge Roll Asm, Dual, Pick Roll ASM (Qty 3)
OPTRA N	0011A8124	Maintenance Kit 220V, Fuser 240V, Transfer Roll (supply item), Feed Roller (Qty 6), Installation Instructions
W810	0012G3420	Maintenance Kit 220V, Fuser Unit 220V, Instruction Sheet
	0012G3425	Transfer Roller Maintenance Kit, Transfer Roller Asm, Instruction Sheet
W812	0056P0885	Fuser Kit 220V
W820 / X830e / X832e	0012G4183	Maintenance Kit 220V, Fuser Unit 220V, Transfer Roller Asm, Paperfeed Rollers (Qty 15), Instruction Sheet
W840	0040X0957	Maintenance Kit 220V, Fuser Unit 220V, Transfer Roller Asm, Paperfeed Rollers (Qty 12)
MULTIFUNCTION MONO LASER PRODUCTS		
X422	0056P2041	Maintenance Kit 220V: Fuser 220V, Charge Roll, Transfer Roll, D Roller, Tray Metal Plate, Instruction Sheet
X644e	0040X3182	Maintenance Kit 115V
X646dte	0040X3183	Maintenance Kit 220V
X850e	0040X2375	Maintenance Kit 110V
X852e	0040X2376	Maintenance Kit 220V
X854e	0040X2734	ADF Maintenance Kit
A4 / A3 COLOUR LASER PRODUCTS		
OPTRA C	0011A2375	Maintenance Kit 220V: Fuser Assembly, Air Filter, Transfer Cleaner Unit, Corona Charger, Ozone Filter, Installation Instructions
SC1275 OPTRA	0011C0180	Maintenance Kit 220V, Fuser 220V, Transfer Roll, Installation Instructions
	0012C0877	Transfer Belt
C710 OPTRA	0010E0059	Maintenance Kit 220V: Fuser Unit 220V, Ozone Filter, Transfer Roller Asm
	0010E0045*	Transfer Roller Maintenance Kit*
C720	0012G7220	Maintenance Kit 220V: Roller Transfer, Paper Discharger, Cleaner Drum
	0015W0909	Fuser Kit*
C510	0020K0507*	HV Fuser Kit*
C750	0012G6497	Maintenance Kit 220V: Fuser ASM 230V
	0056P1296	ITU Maintenance Kit/ 2nd Transfer Roll: ITU Belt, 2nd Transfer Roll
C752	0012G6497	Maintenance Kit 220V: Fuser ASM 230V
	0056P2848	ITU Maintenance Kit/ 2nd Transfer Roll: ITU Belt, 2nd Transfer Roll
C760 / C762	0056P2911	Maintenance Kit 220V: Fuser ASM 230V
	0056P2848	ITU Maintenance Kit with 2nd Transfer Roll: ITU Belt, 2nd Transfer Roll
C520 / C522 / C524	0040X1402	Fuser ASM 230V Kit
	0040X1401	Transfer Belt ASM Kit, Waste Toner Container
C1200 OPTRA Color	0011G0602	Maintenance Kit 220V: Fuser Unit 220V, Belt Unit, Paper Feed Rollers (Qty 2), Instruction Sheet
C910 / C912	0056P9901	Maintenance Kit 220V: Fuser Unit 220V
	0056P9903	Intermediate Transfer Belt Maintenance Kit: Transfer Belt
C920	0056P2651	Fuser Maintenance Kit 220V: Fuser Unit 220V
	0040X1251	Intermediate Transfer Belt Maintenance Kit: Transfer Belt

* See product guide 2006 (supplies chapter)

Specifications are subject to change without notice. Lexmark, Lexmark with diamond design is trademark of Lexmark International, Inc. registered in the United States and/or other countries. All other trademarks are the properties of their respective owners.



Sometimes reaching
your goals takes time.

Sometimes it doesn't.

Lexmark

Product Guide 2006

ADDENDUM - FEBRUARY 2006

We make printing easy

LEXMARK[™]